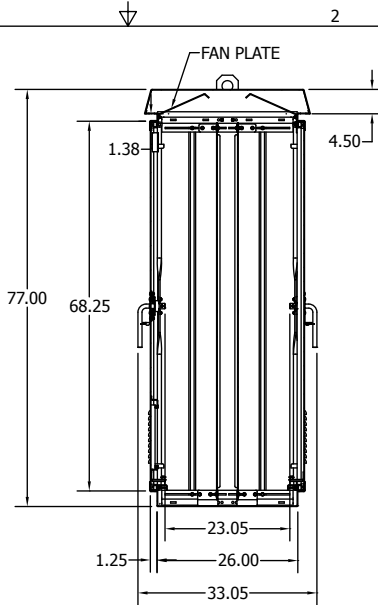
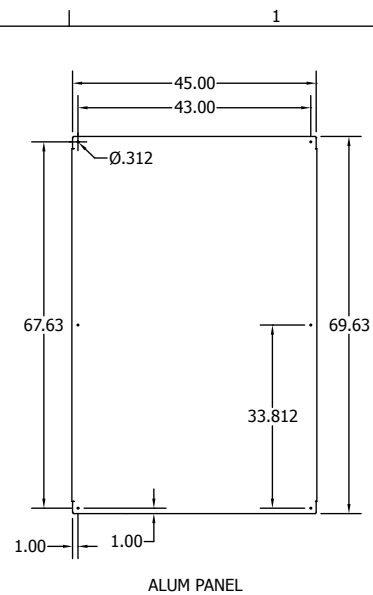


SECTION D-D



SECTION E-E



ALUM PANEL

OPTIONS:

- Lock, Keying, Other Than Standard
- Windows
- Switch Compartments
- Paint Finishes
- Filters
- Shelves
- Panels, center
- Custom Equipment Mounting
- Rack Frame Assembly
- Climate Control
 - Air Conditioner
 - Sunshields
 - Insulation
 - Heater
 - Forced-Air Ventilation Fan

01	0052	PROTOTYPE RELEASE	9/8/2015
REV	ECN	DESCRIPTION	DATE ENGINEER
		REVISIONS	
DIMENSIONS ARE IN INCHES. UNLESS OTHERWISE SPECIFIED TOLERANCES ARE:		THIS DRAWING CONTAINS PROPRIETARY INFORMATION AND IS THE PROPERTY OF APX ENCLOSURES, INC. AND SHALL NOT BE TRANSMITTED OR REPRODUCED OR USED AS THE BASIS FOR MANUFACTURE OR SALE, WITHOUT PRIOR WRITTEN PERMISSION.	
FRACTIONS	DECIMALS	ANGLES	DRAWN
± 1/16	XXX ± 0.15	#1-	9/8/2015
90° BEND RADIUS	90° BEND DEDUCTION	SIZE	TCQD774826A1253R1-CAT STD
346.64 lbmass		B	DWG NO. 1-400-000168
MATL		SCALE	REV 01
			SHEET 1 OF 1

