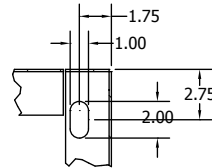
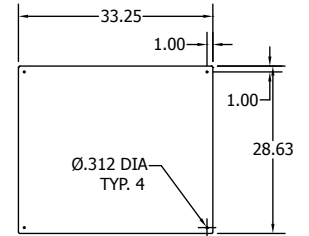


SECTION A-A



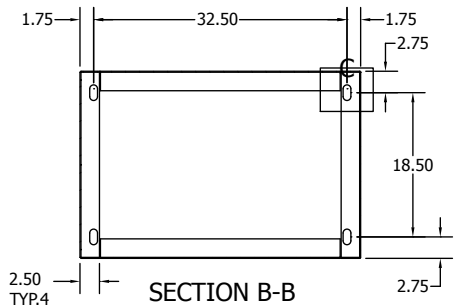
DETAIL C



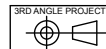
ALUMINUM CENTER PANEL

OPTIONS:

- Lock, Keying, Other Than Standard
- Windows
- Switch Compartments
- Paint Finishes
- Filters
- Rack Mounting
- Shelves
- Panels, Center
- Lifting Ears
- Custom Equipment Mounting
- Pedestal Adapter (reinforced bottom)
- Swing Rack
- Climate Control
 - Air Conditioner
 - Sunshields
 - Insulation
 - Heater
 - Forced-Air Ventilation Fan



SECTION B-B



01	PROTOTYPE RELEASE		8/15/2009	JGAG
REV	ECN	DESCRIPTION	DATE	ENGINEER
REVISIONS				
DIMENSIONS ARE IN INCHES.		THIS DRAWING CONTAINS PROPRIETARY INFORMATION AND IS THE PROPERTY OF APX ENCLOSURES, INC. AND SHALL NOT BE TRANSMITTED OR REPRODUCED OR USED AS THE BASIS FOR MANUFACTURE OR SALE WITHOUT PRIOR WRITTEN PERMISSION.		
UNLESS OTHERWISE SPECIFIED				
TOLERANCES ARE:				
FRACTIONS	DECIMALS			
± 1/16	XXX ± 0.15	±1-		
BEND RADIUS		DRGWR	JGAG	6/15/2009
90° BEND REDUCTION		SPECIFIC		
115.56 lbmass		STC		
MATERIAL		NOT MCR		
T/CFR363624A1253R1LNNNNORNNNNPI			SIZE	REV
			B	01
			DWG NO	1-200-000088
			SCALE:	SHEET 1 OF 1