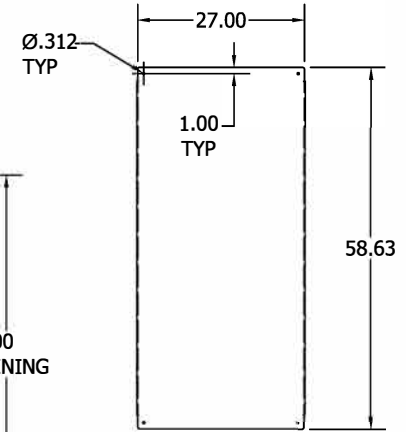
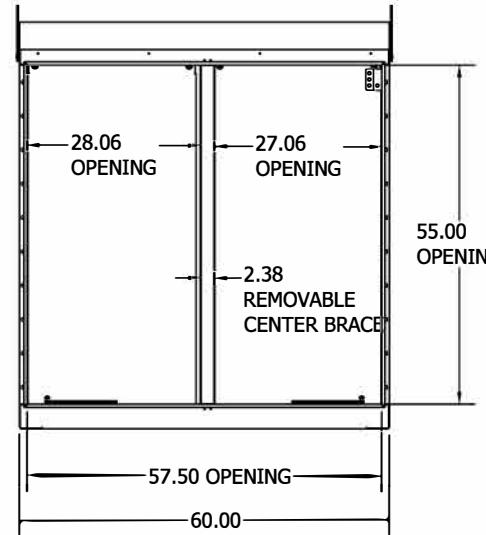
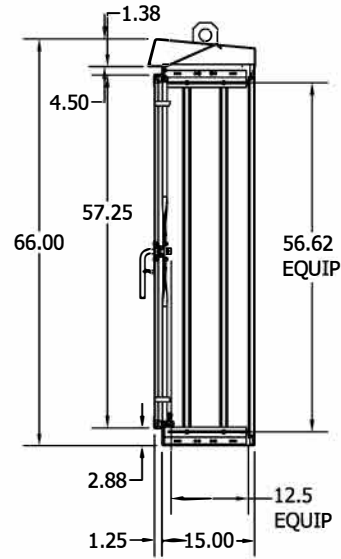
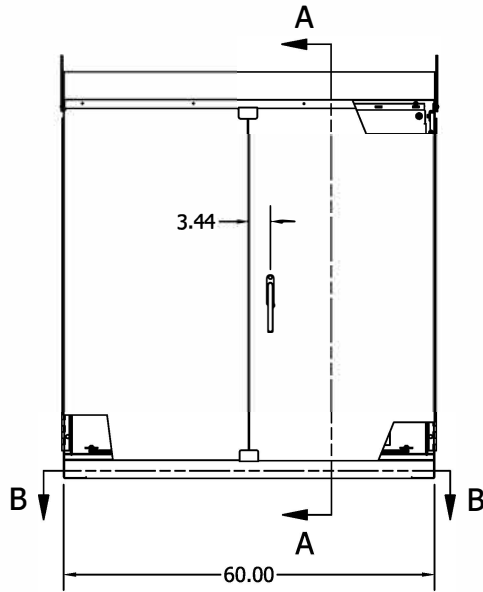


4

3

2

1

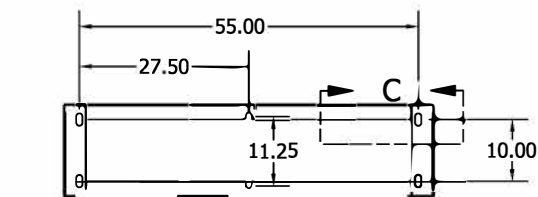


ALUMINUM PANEL

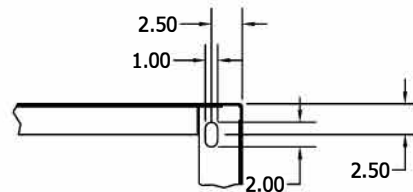
OPTIONS:

- Windows
- Switch Compartments
- Shelves
- Panels
- Painted Finishes
- Custom Equipment Mounting
- Climate Control
  - Air Conditioner
  - Sunshields
  - Insulation
  - Heater

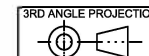
DOORS NOT SHOWN




SECTION B-B



DETAIL C



01		PROTOTYPE RELEASE		2016/5/4	JGAO
REV	ECN	DESCRIPTION		DATE	ENGINEER
REVISIONS					
DIMENSIONS ARE IN INCHES. UNLESS OTHERWISE SPECIFIED TOLERANCES ARE:				THIS DRAWING CONTAINS PROPRIETARY INFORMATION AND IS THE PROPERTY OF APX ENCLOSURES, INC. AND SHALL NOT BE TRANSMITTED OR REPRODUCED OR USED AS THE BASIS FOR MANUFACTURE OR SALE WITHOUT PRIOR WRITTEN PERMISSION.	
FRACTIONS	DECIMALS				
± 1/16	XXX ±.015	±1°	DRAWN	JGAO	2016/5/4
BEND RADIUS		CHECKED		TCDD6680151254X	
240.35 lbmass		ENGR		SIZE B	
MATERIAL		ENGR MGR		DWG NO. 1-300-000197	
				SCALE: SHEET 1 OF 1	

4

3

2

1